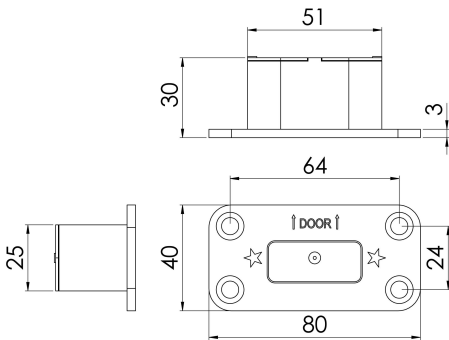


## Emergency Release Door Stop

H2N1950SSS



Emergency release door stop to be used in conjunction with H2N1900 standard thrust bearing pivot set. [carlislebrass.com/media/careinstruction/file/stainlesssteel](http://carlislebrass.com/media/careinstruction/file/stainlesssteel).

