

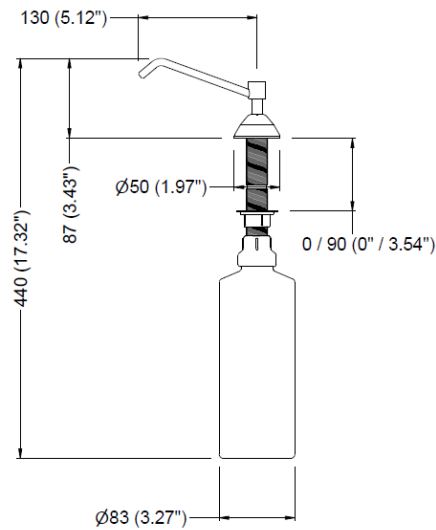
GW04 10 Under counter soap dispenser



GW04 10 01 00
ABS stem



GW04 10 01 00B
Stainless steel stem



Dimensions: $\pm 3\%$

TECHNICAL DATASHEET

COMPONENTS AND MATERIALS

- Piston, spout, and Top cover – AISI 304 stainless steel with bright polished finish. 130mm spout length. Concealed locking mechanism.
- Stem – High impact resistant ABS (GW04 10 01 00). AISI 304 stainless steel (GW04 10 01 00B).
- Container – High impact resistant polyethylene. 1000ml capacity.
- Fixing set – Lock key

OPERATION

Press piston down to dispense all purpose hand soaps. Spout can rotate 360° to facilitate use. To fill from top, unlock top cover with special key supplied with the unit. Unit may also be refilled by removing container from below washbasin.

MOUNTING

Unit is designed for installation in 25mm diameter hole (1"). Unit may be installed in stainless steel or porcelain washbasins. Clearance required for stem and container is 83mm (3.27") diameter and 353mm length (13.90").

ARCHITECTURAL SPECIFICATION

Undercounter soap dispenser shall dispense all purpose hand soaps. Piston, spout, and top cover shall be AISI 304 AISI 304 stainless steel with bright polish finish. Spout shall have a length of 130mm and be able to rotate 360° to facilitate use. Unit shall include a lock key to open top cover and refill from top. Besides, shall be able to be refilled from below washbasin by removing container. Container shall have a capacity of 1.000ml.

SPARE PARTS

GW04 10 90 00 Lock key