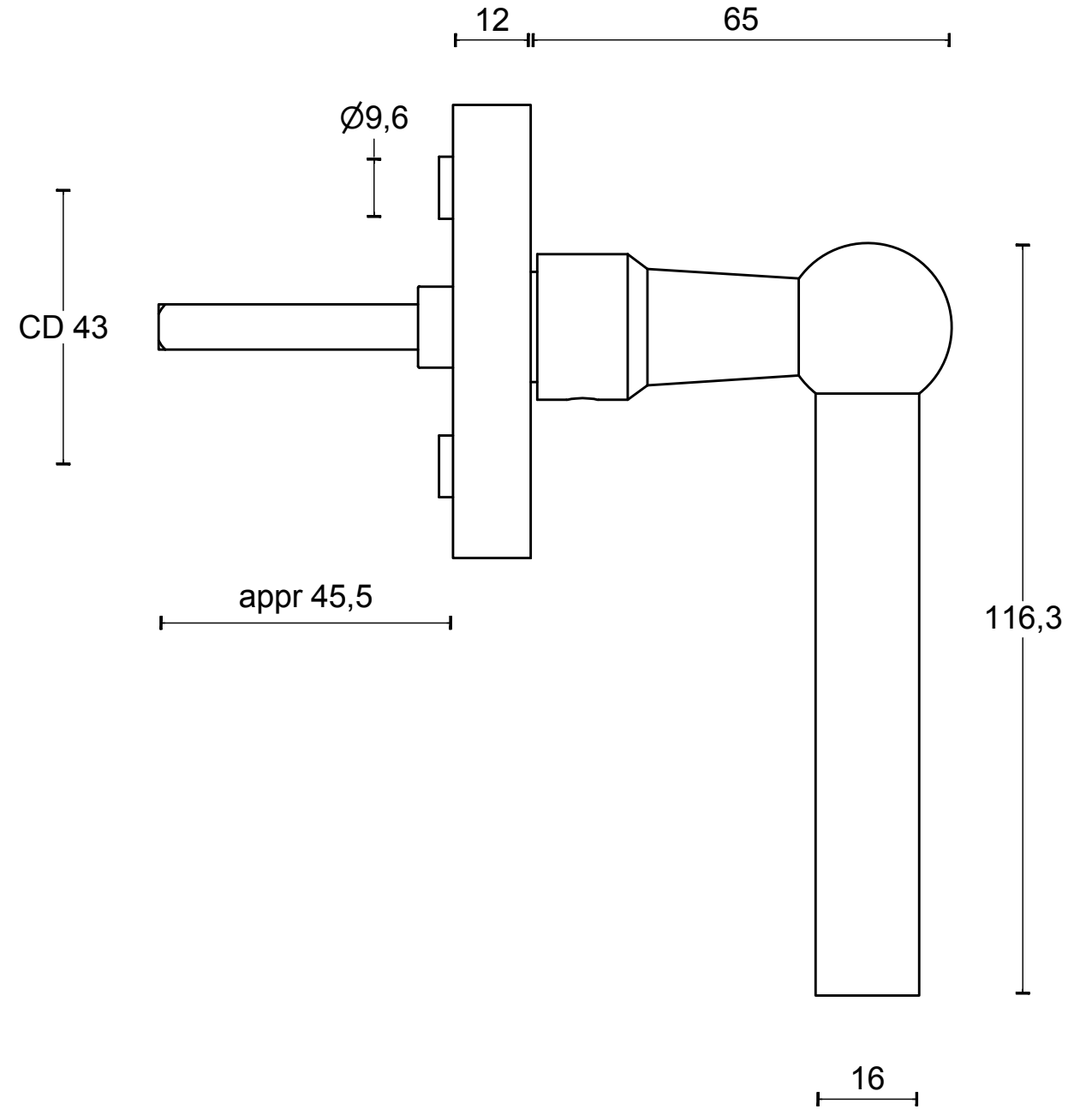
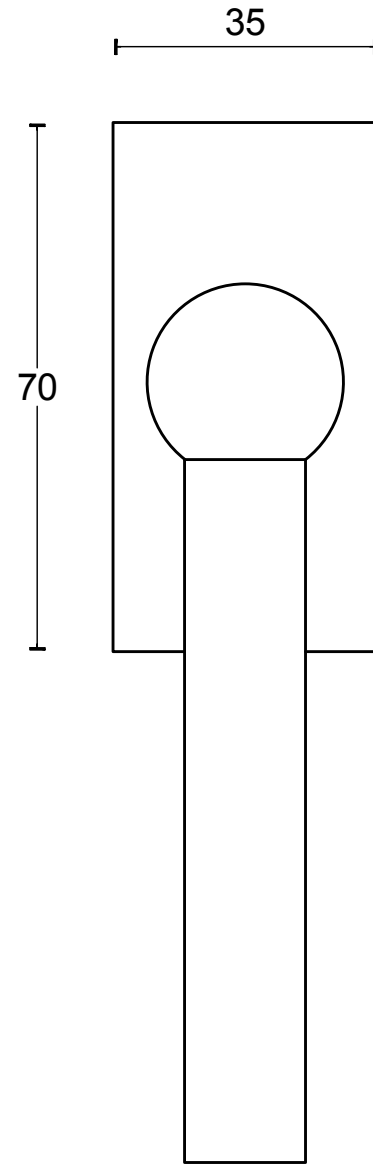
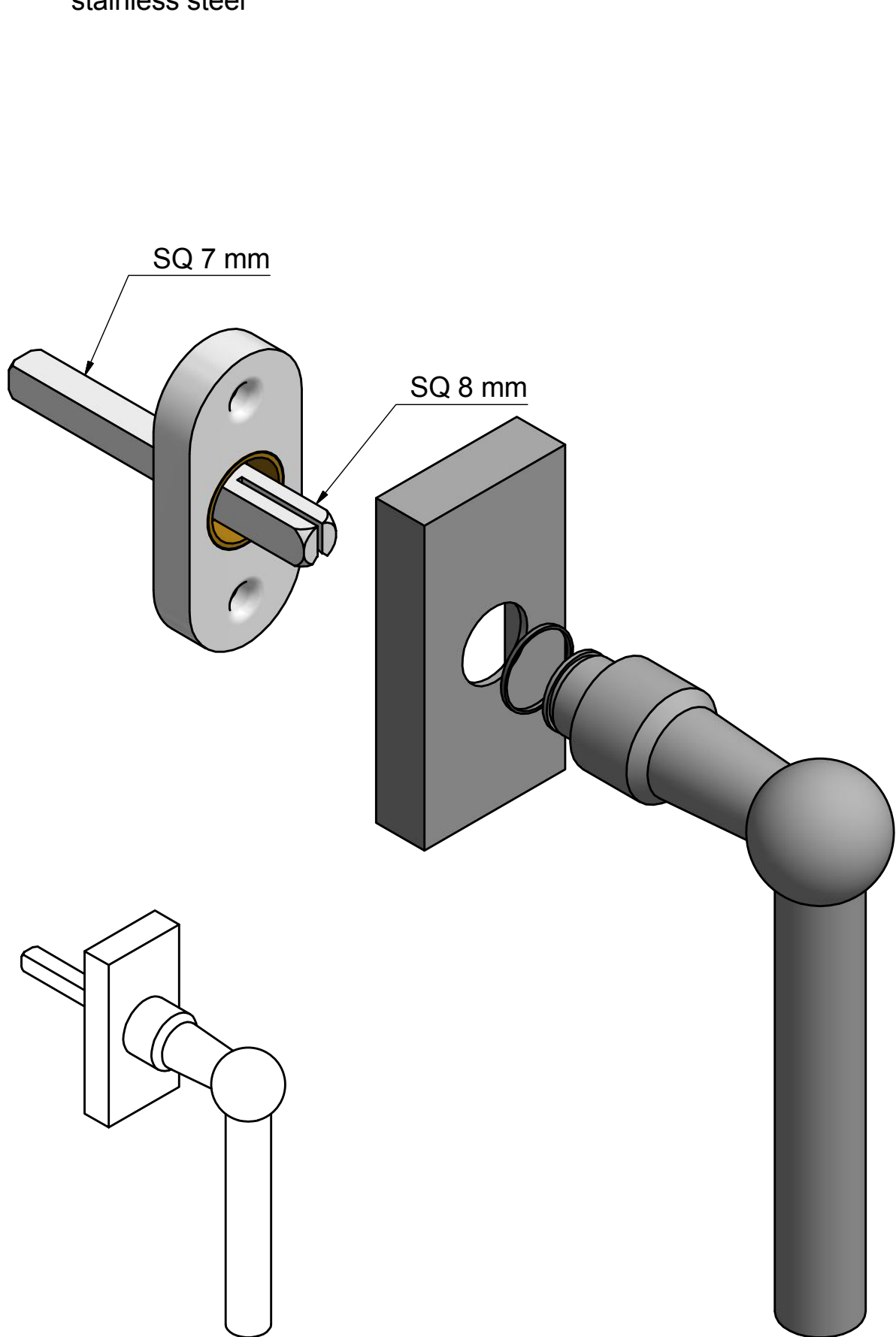


# FVL110-DK

non-locking tilt and turn  
window handle  
stainless steel



<h2>FORMANI®</h2>		Part number:	
		Description:	
Doc no.:	1503D060 FVL110-DK V01.dwg	<h1>FVL110-DK</h1>	Format:
Drawn by:	Christian Brimbois		Creation date:
FORMANI HOLLAND B.V. EUROPALAAN 12 6199 AB MAASTRICHT-AIRPORT NL T +31 (0)43 308 90 00 INFO@FORMANI.COM FORMANI.COM		<h1>A3</h1>	