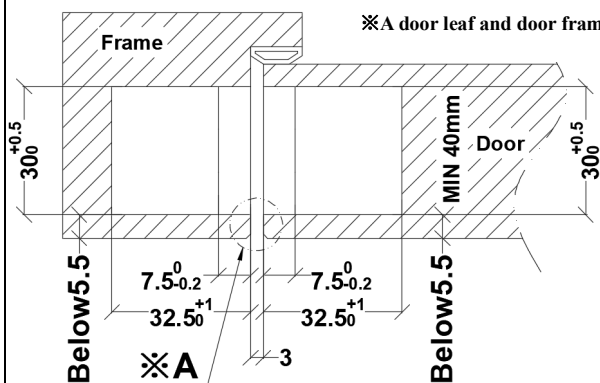
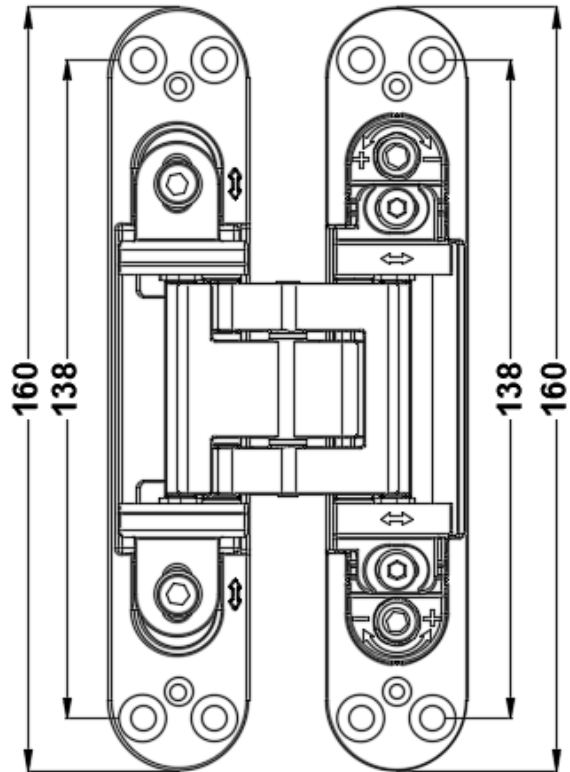
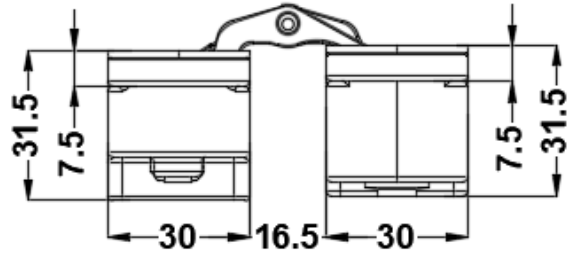
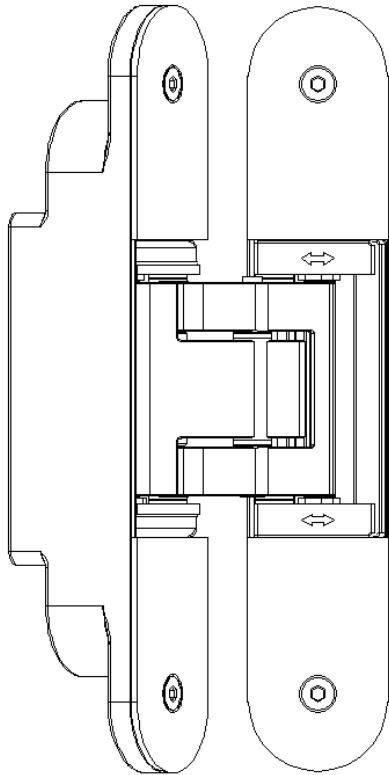


GHOST

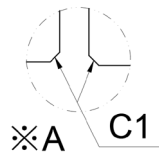
CONCEALED HINGES

CH100

FITTING INSTRUCTIONS

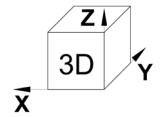


※A door leaf and door frame corners shall be processed by C1



**Maximum
Weight
120KG**

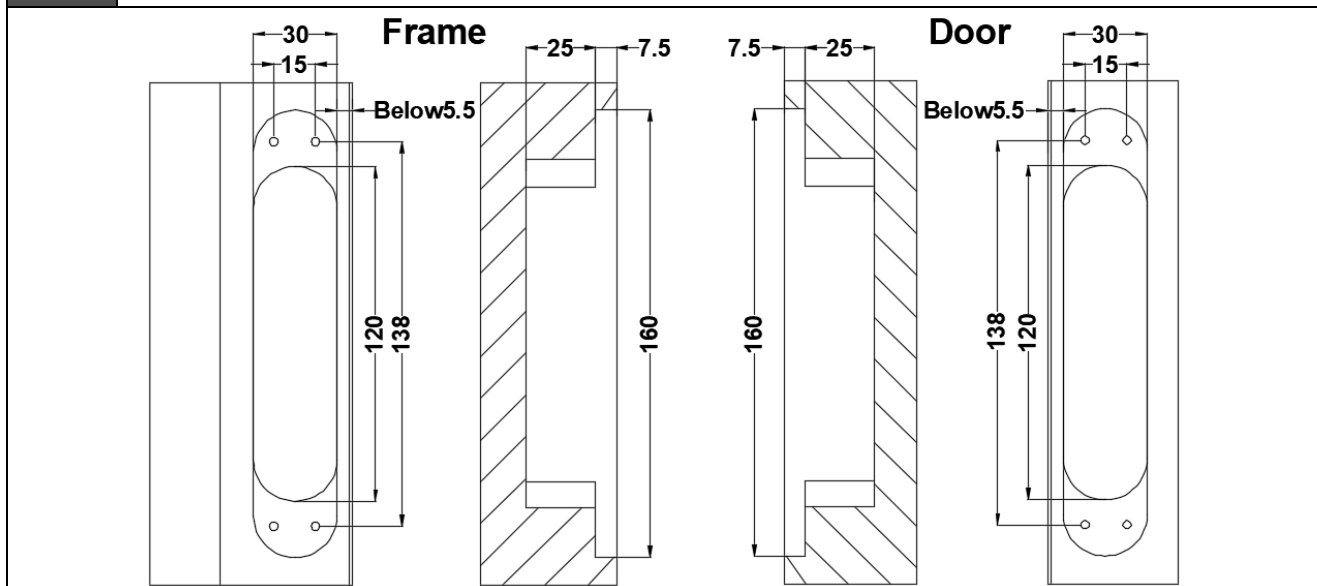
When using 3 hinges



Left and right adjustment : +3.5/-2.0mm
Up and down adjustment : ±3.0mm
Front and rear adjustment: ±1.5mm

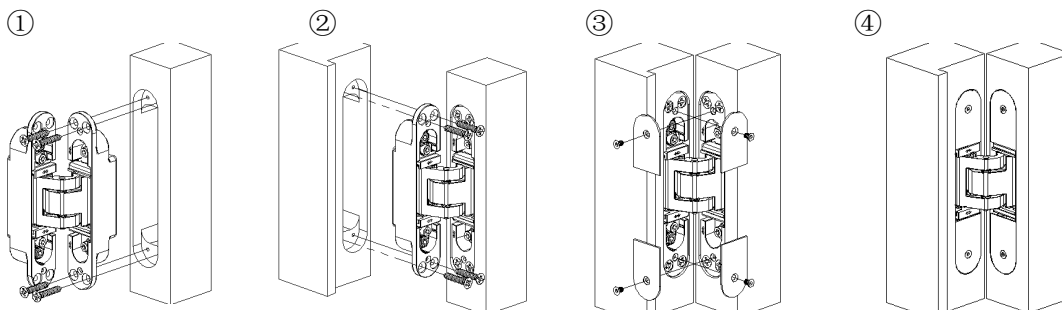
1

Slot the door leaf and frame as shown in the figure below.



2

1. As shown in Figure ①, install the edge marked "Door" in the opening hole of the door, and use a Phillips screwdriver to put the product into the door.
2. As shown in Figure ②, install the corresponding position of the door fan installed with the product in the door frame that has been opened, and tighten it with a Phillips screwdriver.
3. After installation and commissioning, ensure that the hinge is firm and stable. The hinge surface should be flush with both sides of the door leaf and frame.



4. Open and close it repeatedly to check and ensure that it can be used normally.
5. Pay attention to the daily maintenance of the hinge and keep it clean. Apply a small amount of lubricant to the hinge.

3

Adjustment function schematic:

Left and right adjustment: Use hexagonal key to A/A' adjust, clockwise to increase the door gap, counterclockwise can reduce the door gap (note: adjustment must be synchronized!);

Front and rear adjustment: counterclockwise to B/B' screws loose, can be adjusted, adjusted after the lock;

Up and down adjustment: counterclockwise to the C/C' screws loose, can be adjusted, lock it up when it's done.

